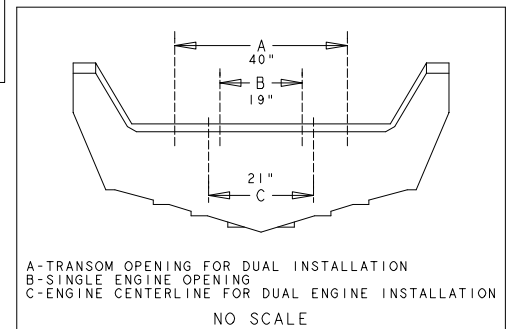
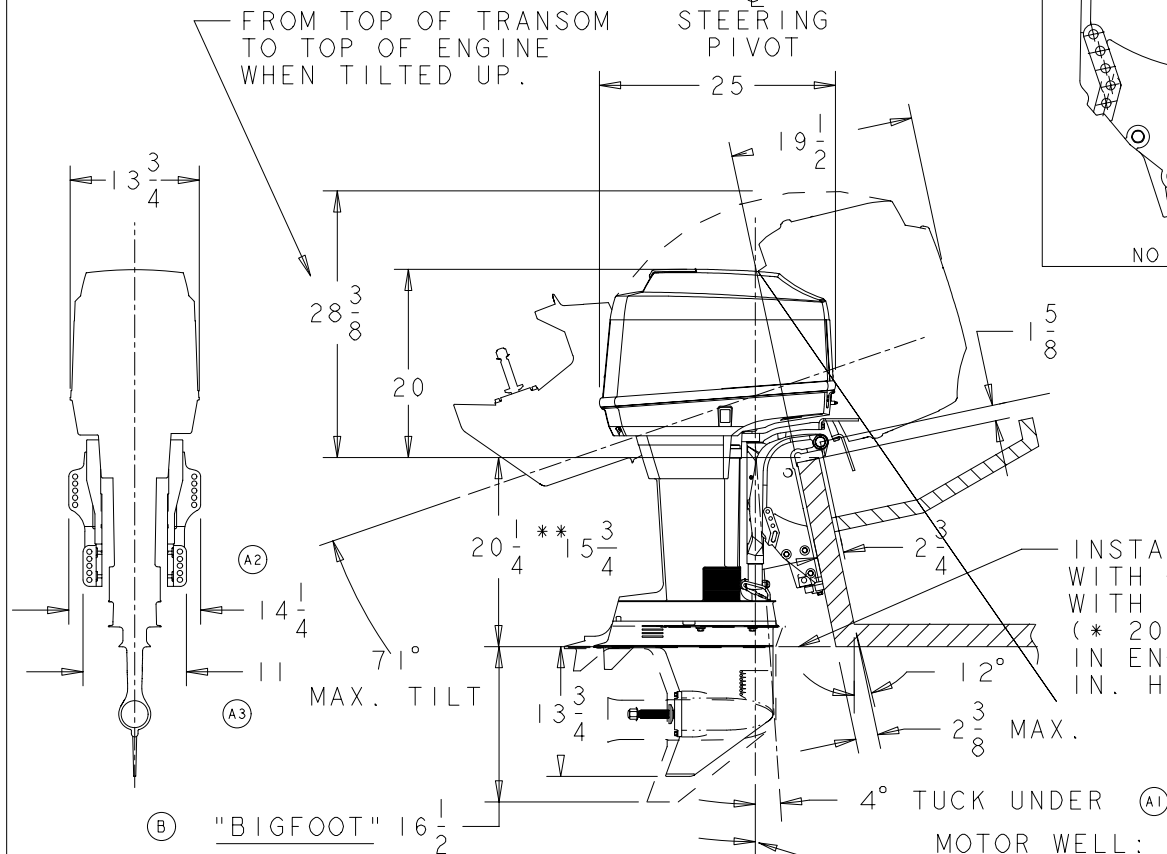


LET.	DRAWING RELEASE OR BRIEF DESCRIPTION OF CHANGE	BY	DATE	E.C.N. NO.
	DRAWING RELEASE	JEF	9-26-90	60598
A	1) TUCK WAS KICK 2) ADDED 14 1/4 3) ADDED 11	TDB	5-18-93	67638
B	ADDED 60 BIGFOOT & SHORT	PWC	6-6-96	1277

COMPUTERIZED DOCUMENT
NO MANUAL REVISIONS PERMITTED



A-TRANSOM OPENING FOR DUAL INSTALLATION
B-SINGLE ENGINE OPENING
C-ENGINE CENTERLINE FOR DUAL ENGINE INSTALLATION
NO SCALE



INSTALL ENGINE ON TRANSOM WITH CAVITATION PLATE EVEN WITH THE BOTTOM OF THE BOAT. (* 20" TRANSOM WILL RESULT IN ENGINE BEING MOUNTED 3/4 IN. HIGHER, 2ND BOLT HOLE)

TILT POSITION IS BASED ON A 12° TRANSOM ANGLE. A TRANSOM WITH AN ANGLE GREATER THAN 12° WILL REDUCE THE MAX. TILT ANGLE & INCREASE KICK UNDER ANGLE.

MOTOR WELL: SEE ABYC-S-12 STANDARD FOR OTHER DIMENSIONS
** DIMENSION WITH SHORT DRIVE SHAFT HOUSING

MERCURY MARINE		DR. BY: JEF
DIV. OF BRUNSWICK CORP.		DATE 5-31-90
FOND DU LAC, WIS. 54935		SHT. OF
TITLE: INSTALLATION DRAWING MER/MAR 50/60 (1991-97 1/2) 60 & 60 BIGFOOT ELECTRIC (1997 1/2 & NEWER)		
SCALE	PART NO.	
1:12	90-815258-10	