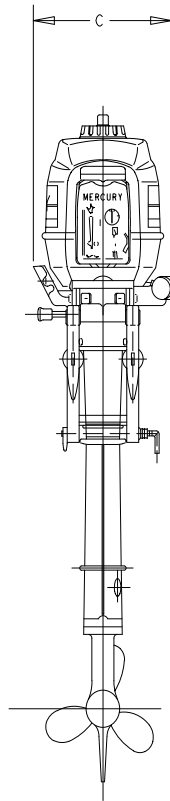
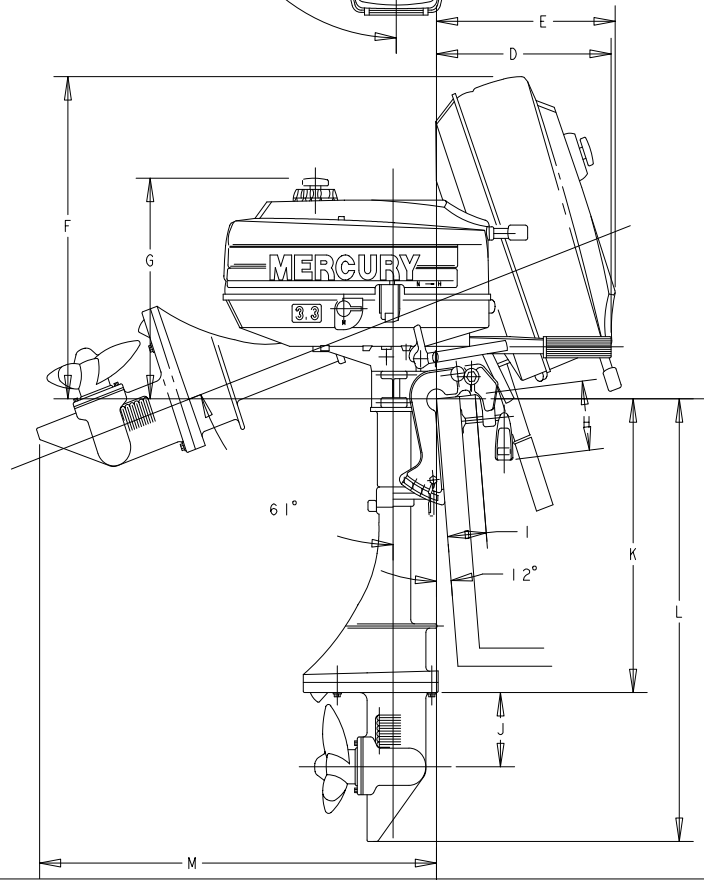


A	13-0" (330.2 MM)	K	SHORT-16-7/8" (426.3 MM)
B	13-0" (330.2 MM)		LONG-21-7/8" (555.6 MM)
C	9-3/4" (247.6 MM)		ULTRA LONG-
D	10-7/8" (276.2 MM)	L	SHORT-25-1/4" (641.4 MM)
E	9-5/8" (2.445 MM)		LONG-30-1/4" (768.4 MM)
F	18-15/32 (469.1 MM)		ULTRA LONG-
G	13-0" (330.2 MM)	M	SHORT-25-5/16" (642.9 MM)
H	3-7/8" (96.1 MM)		LONG-29-1/4" (742.9 MM)
I	2-11/32" (59.5 MM)		ULTRA LONG-
J	4-5/32" (105.6 MM)		

LET.	DRAWING RELEASE OR BRIEF DESCRIPTION OF CHANGE	BY	DATE	E. C. N. No.	MF DATE
	DRAWING RELEASE	LRM	3-1-00	00496	

COMPUTERIZED DOCUMENT  
NO MANUAL REVISIONS PERMITTED



NOTES:  
1, 2.5= FULL 360° STEERING ABILITY  
2, 3.3= FULL 360° STEERING ABILITY  
WITH FORWARD & NEUTRAL SHIFTING.

MERCURY MARINE		DWN. BY	
DIV. OF BRUNSWICK CORP.		LRM	
FOND DU LAC, WI. 54935		DA 2F 29-00	
		SHT. 1 OF 1	
TITLE			
INSTALLATION - DRAWING			
2.5/3.3 TWO STROKE			
DO NOT SCALE		PART No.	
DWG. SIZE	B	90-879994	
CHK. BY	SJL 3-1-00		

