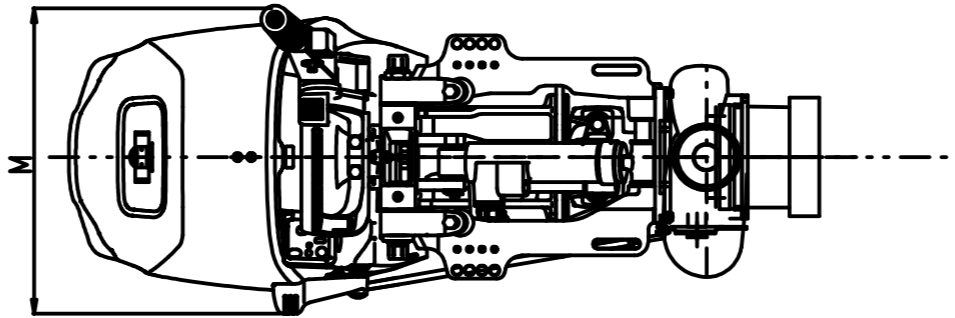
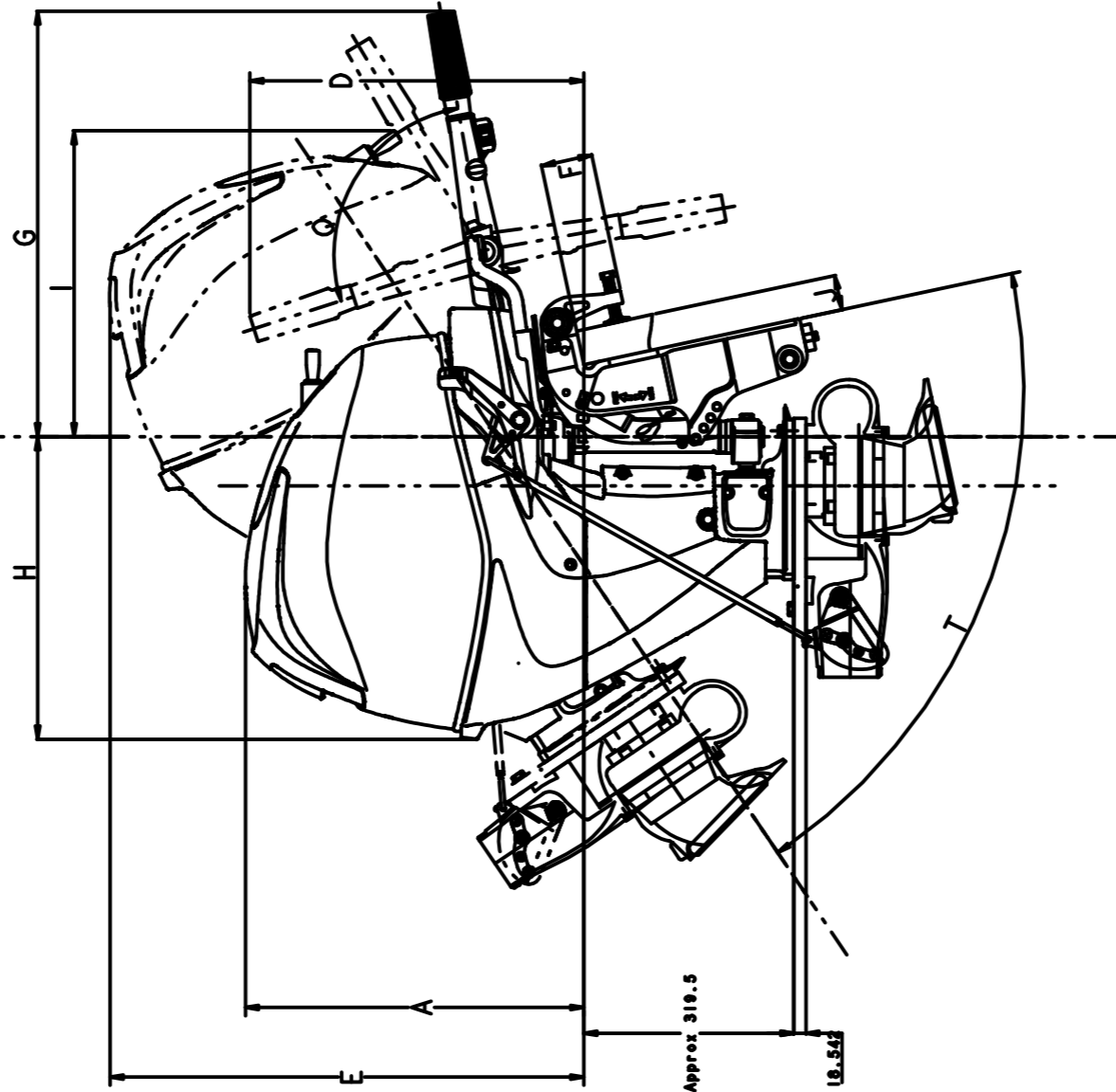
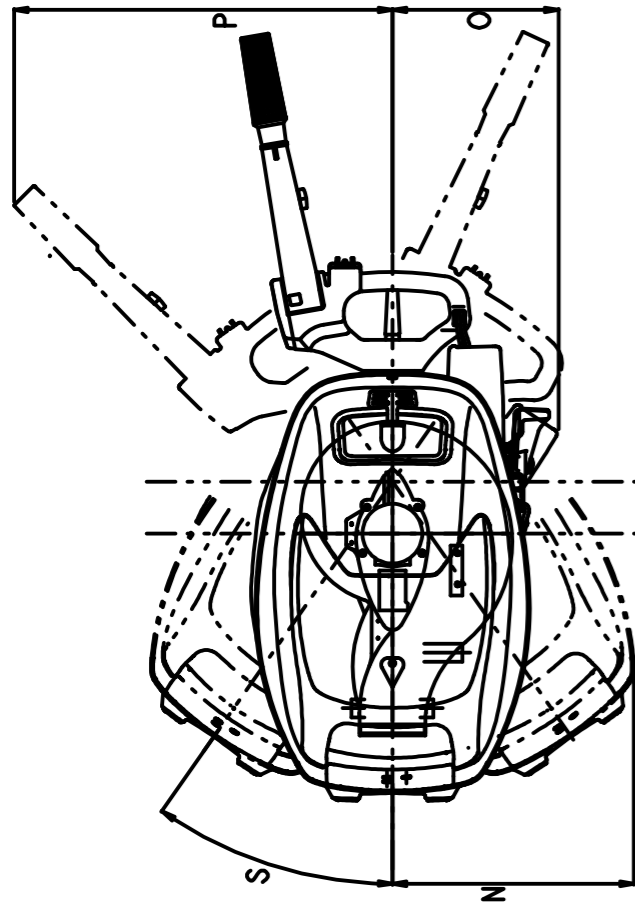


ITEM	TRANSOM OF MODEL	UNITS	DIMENSIONS (Approx.)
A	MLH-SMVELH-6A/ELPT	mm	51.5
D	MLH-SMVELH-6A	mm	50.8
E	MLH-SMVELH-6A	mm	72.1
F	MLH-SMVELH-6A/ELPT	mm	78
G	MLH-SMVELH-6A	mm	64.8
H	MLH-SMVELH-6A/ELPT	mm	42.5
I	MLH-SMVELH-6A	mm	45.6
J	ELPT	mm	49.0
K	MLH-SMVELH-6A/ELPT	mm	31.70
L	MLH-SMVELH-6A	mm	44.1
N	MLH-SMVELH-6A/ELPT	mm	30.6
O	MLH-SMVELH-6A/ELPT	mm	24.0
P	MLH-SMVELH-6A	mm	54.6
Q	MLH-SMVELH-6A	deg	9.8
R	MLH-SMVELH-6A/ELPT	deg	12
S	MLH-SMVELH-6A/ELPT	deg	35
T	MLH-SMVELH-6A	deg	6.8
U	ELPT	deg	7.4
TRIM ANGLE (POSITION)			8°-20° (4)



MEF25B JET (MLH-GA, ELH-GA)
DIMENSIONAL DRAWING

LET	REVISIONS	BY	DATE	ECN
A	DRAWING RELEASE	REM	08-AUG-2008	21294-08

MATERIAL		PER MERC SPEC:	
FINISH		PER MERC SPEC:	
REF SPECS		M-251-G	
THE INFORMATION CONTAINED IN THIS DOCUMENT IS TO BE TREATED AS TRADE SECRET AND CONFIDENTIAL TO MERCURY			
 THIRD ANGLE PROJ	UNLESS OTHERWISE SPECIFIED		
	METRIC TOLERANCE DIMENSIONS ARE AFTER PLATING BREAK ALL SHARP EDGES CHAM. TAPPED HOLES 90° X THD DIA MACHINED SURFACES 3.2/√ THREAD LENGTH = FULL THREADS		
SCALE: 1:1	LINEAR		
DO NOT SCALE	ANGLES		
MANUF CAST	MATH ENG		
MANUF MACH	PURCH		
QC	PRODUCT LINE	TITLE	
APPROVED	DATE	25/30 - 4S JET	
CHECKED	DESIGNED	PART NUMBER	
R. ZEITLER	06-AUG-2008	8M0038498	
R. ZEITLER	R. MUELLER	SHEETS	
		1 OF 1	

- NOTES:
- ALL VALUES ARE IN MILLIMETERS UNLESS OTHERWISE NOTED.
 - THE DIMENSIONING AND TOLERANCING ARE IN ACCORDANCE WITH ASME Y14.5M-1994.
 - 0 KPC'S PER MERCURY SPEC. M-251-G AS NOTED BY ■ OR ▣

