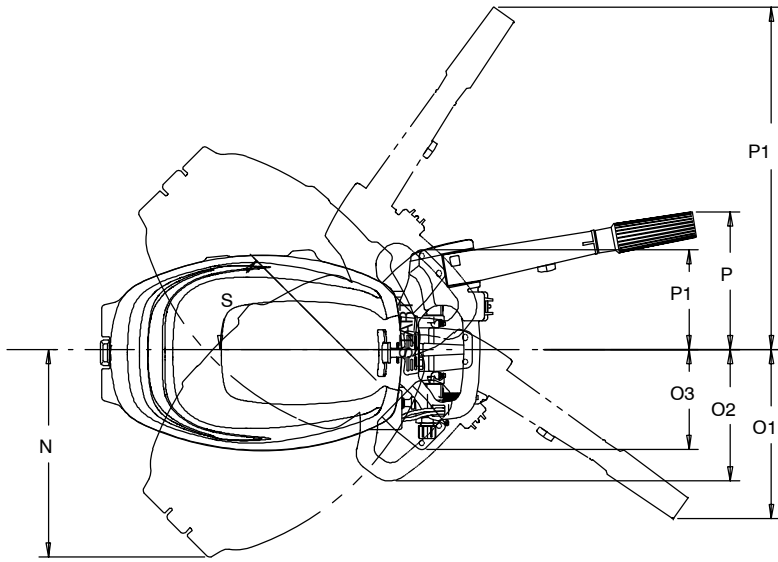
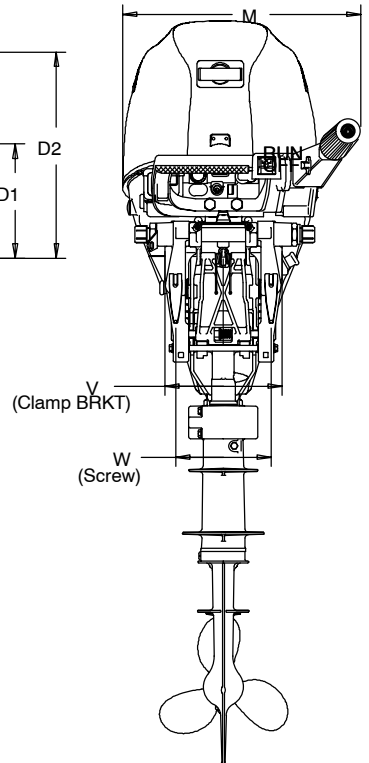
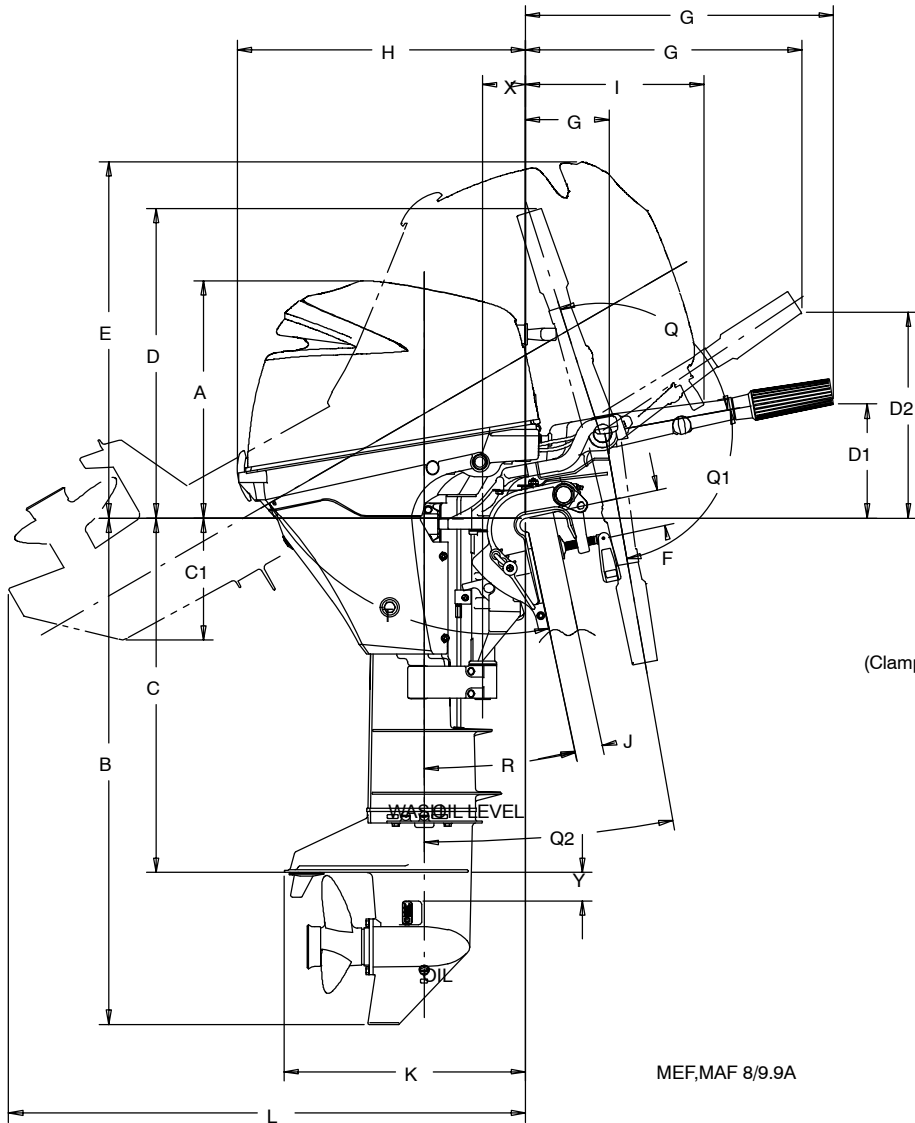


H : Tiller Handle Model
 RC : Remote Control Model



ITEM	Model Transom	UNITS	Approx.
A		mm	379
B	S	mm	674
	L		801
	UL		928
C	S	mm	433
	L		560
	UL		687
C1	S	mm	128
	L		190
	UL		255
D	H	mm	495
D1			181
D2			326
E		mm	568
F		mm	58
G	H	mm	489
	H (Tilt)		439
	RC		132
H		mm	460
I		mm	282
J		mm	30-65
K		mm	385
L	S	mm	709
	L		836
	UL		963
M	H	mm	379
	RC		318
N		mm	329
O1	H	mm	268
O2			208
O3	RC		159
P	H	mm	219
P1	H	mm	544
	RC		159
Q	H	deg.	98
Q1	H	deg.	90
Q2	H	deg.	10
R		deg.	14
S		deg.	45
T		deg.	74
U		mm	118
V		mm	187
W		mm	152
X		mm	69
Y		mm	46
Trim angle		deg.	8-30 (5)
Shallow water		deg.	40



MEF,MAF 8/9.9A